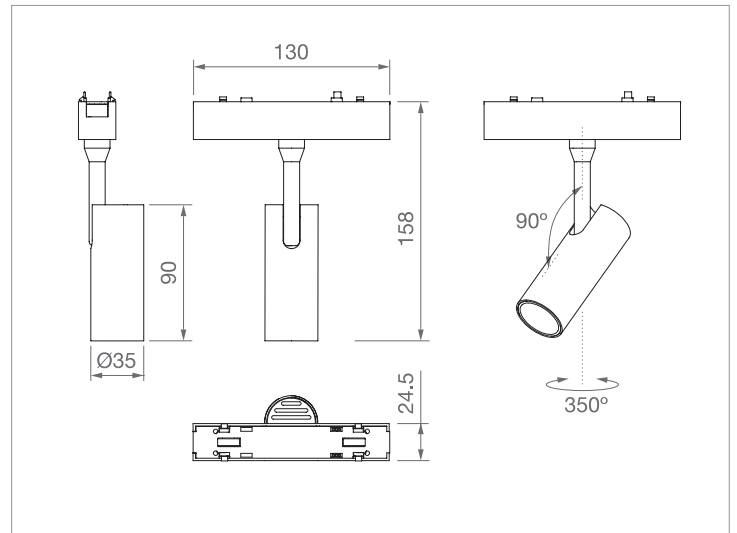
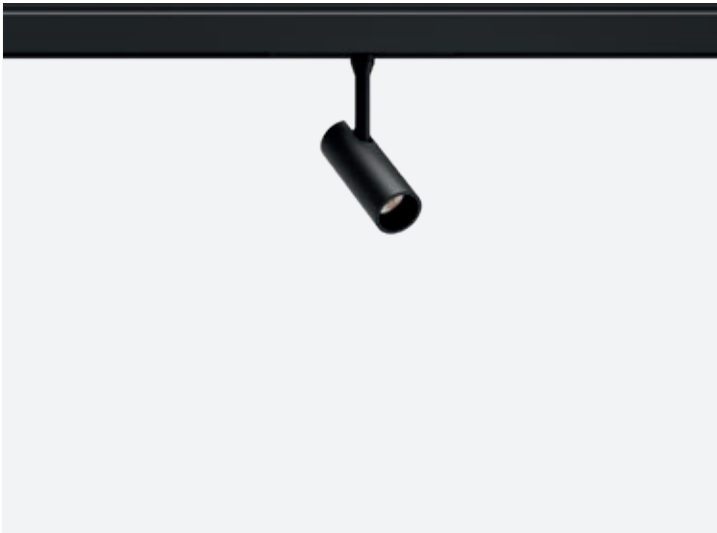


Trazzo SPOT 35



Características técnicas / Technical data

| | | | |
|---------------------------------|--|-------------------------------------|----------------------------------|
| Potencia / Power | 6W | Flujo luminoso / Luminous flux | 403 lm (3000K) 452 lm (4000K) |
| CCT | 3000K / 4000K | Voltaje de entrada / Input voltage | 48V |
| IRC / CRI | 90 | Sistema de Control / Control system | On/Off |
| Ángulo de apertura / Beam angle | 27° | Acabado / Finish | ◆ |
| UGR (4H/8H) | < 13 | Referencias / References | 49.008 (3000K) 49.009 (4000K) |
| Vida útil LED / LED lifespan | 50000h | | |
| Material / Material | Aluminio / Aluminium | | |
| Sistema óptico / Optical system | Lente / Lens | | |
| Instalación / Installation | Carril magnético 48V / 48V magnetic track | | |

